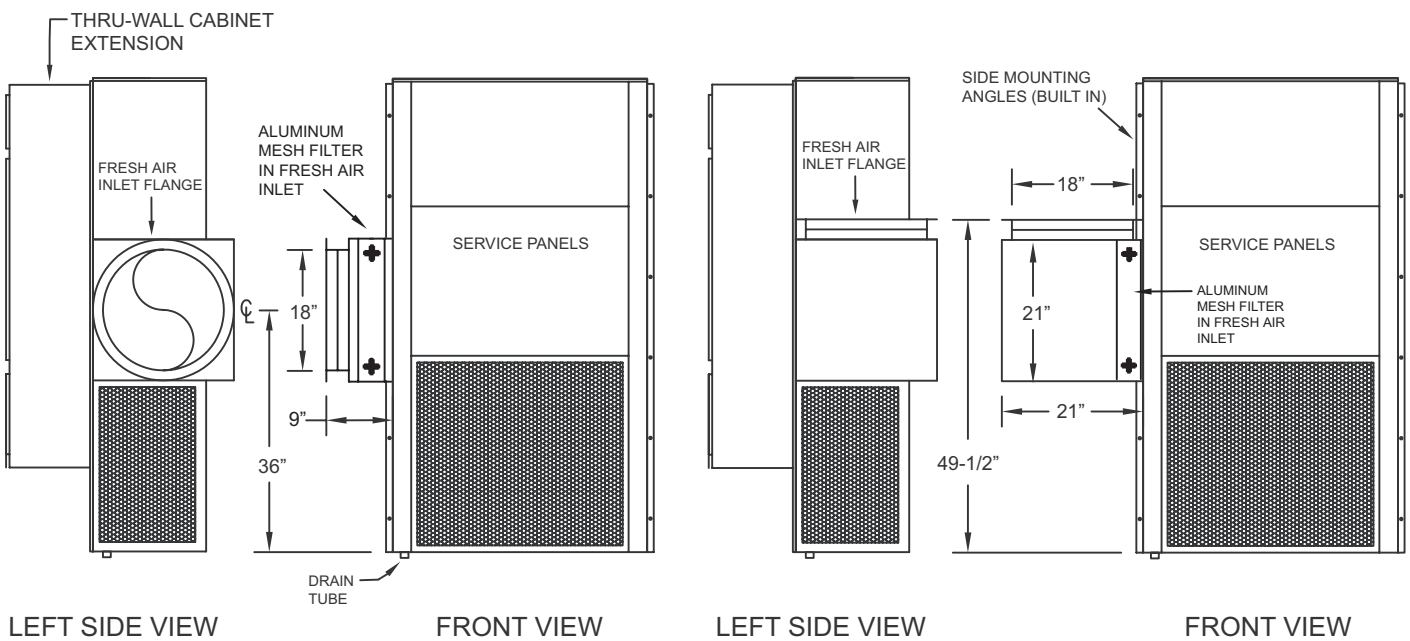
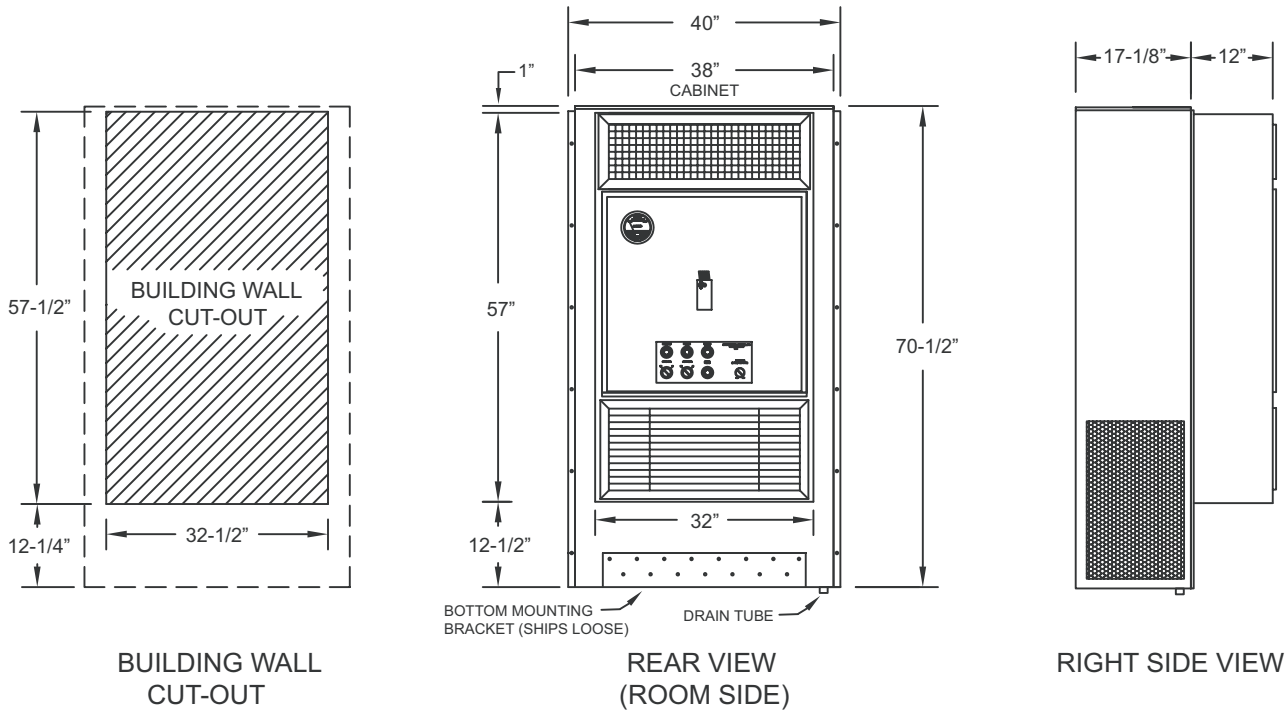


WCPX - WHPX Dimensions Cabinet Size C

Marc Climatic Controls, Inc.

1-30-06



INLET FLANGE FOR **HORIZONTAL**
FRESH AIR STACK CONNECTION

INLET FLANGE FOR **VERTICAL**
FRESH AIR STACK CONNECTION

- NOTES: 1) FRESH AIR STACK FLANGE AND BOX DIMENSIONS SHOWN ABOVE ARE FOR ILLUSTRATION ONLY AND WILL VARY DEPENDING UPON AIR FLOW REQUIREMENTS.
 2) FRESH AIR STACK FLANGE CAN BE FACTORY INSTALLED ON EITHER SIDE.
 3) SIDE AND BOTTOM MOUNTING BRACKETS AND TOP RAIN FLASHING INCLUDED.